



Molino Tradicional The Traditional Corn Mill

Congratulations for purchasing a Corona® Mill.

How to assemble

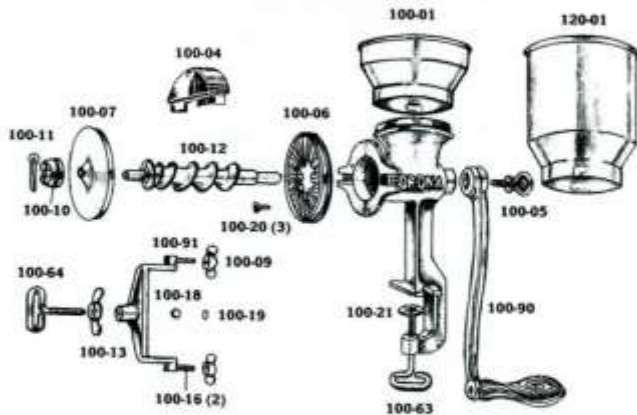
- Clamp the Mill Body onto a work surface and tighten the Clamp Screw.
- Insert the Feed Screw into the Mill Body.
- Fit the Grinding Disc Cover onto the Frame Assembly.
- Place the Frame Assembly so the central hole on the frame fits onto the end of the Feed Screw and tighten it onto the Mill Body using the Wing Nuts.
- Fit the Crank Handle onto the other end of the Feed Screw and tighten using the Crank Screw.
- Place the Hopper onto the Mill Body, making sure the slots on the hopper fit onto the corresponding lugs.
- Press the Hopper downwards and then twist in a clockwise direction until the hopper is firmly in place.

How to use

- Place a bowl under the Grinding Discs to collect the food being processed.
- Place the grain (raw or cooked according to the recipe) into the Mill Hopper.
- Turn the Crank Handle in a clockwise direction.
- Adjust the texture of the food being processed by loosening the Lock Nut and then tightening or loosening the Adjusting Screw.
- Lastly, adjust the Lock Nut so the Adjusting Screw is firmly set in the desired position.



MOLINO TRADICIONAL THE TRADITIONAL CORN MILL



Ref. 100 Molino Tolva Baja con Tapa
Corn Mill Low Hopper with Cover.

Ref. 121 Molino Tolva Alta con Tapa
Corn Mill High Hopper with Cover.

REPUESTOS – SPARE PARTS

DESCRIPCION	REF.	SPARE PARTS DESCRIPTION
Tolva	100-01	Hopper
Cubierta del disco de amoladora	100-04	Grinder Disc Cover
Tornillo de manubrio	100-05	Crank Screw
Moedor fijo	100-06	Stationary Grinder
Disco moedor giratorio	100-07	Revolving Grinder
Tuerca de aletas	100-09	Wing Nut
Anillo ajustador	100-10	Adjusting Collar
Pasador de retención	100-11	Auger Pin
Tornillo de alimentacion	100-12	Feed Auger
Tuerca ajustadora	100-13	Lock Nut
Tornillo tuerca de aletas	100-16	Bearing Bolt
Bola	100-18	Ball
Arandela de bola	100-19	Ball Spring
Tornillo moedor fijo	100-20	Grinder Screw
Arandela tornillo de prensa	100-21	Clamp Screw Washer
Tornillo prensa	100-63	Clamp Screw
Tornillo ajustador	100-64	Adjusting Screw
Manubrio completo	100-90	Crank Handle
Bastidor completo	100-91	Bearing Support
Tolva alta	120-01	High Hopper

WWW.CORONAMILL.COM